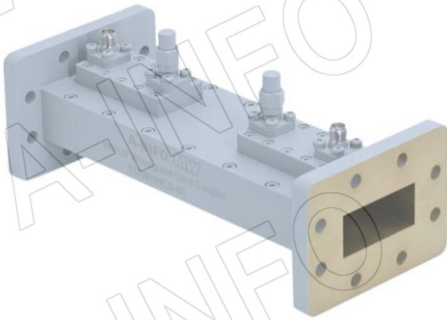


For reference only. See data sheet for the detailed specifications.

## Technical Specification

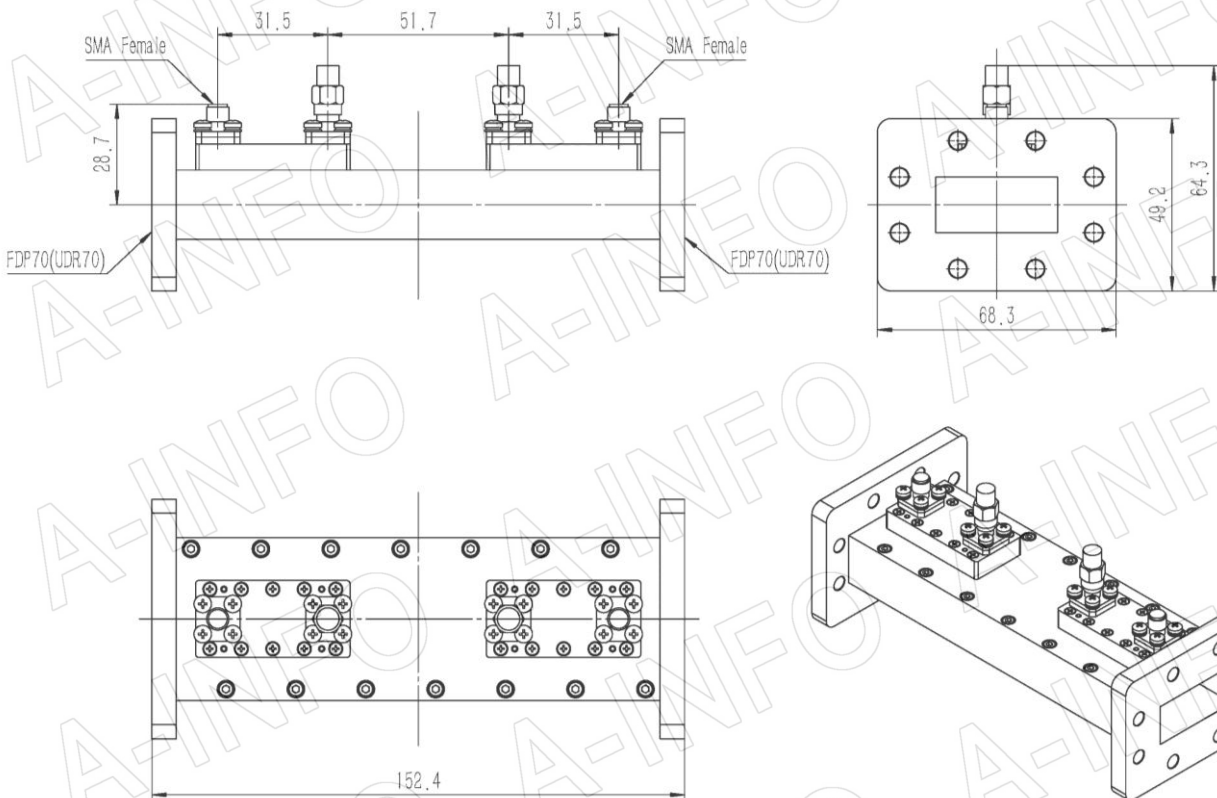


EIA WR	WR137
Frequency Range(GHz)	5.85 – 8.20
Coupling(dB)	60
Directivity(dB)	15 Typ.
Insertion Loss(dB)	0.1 Max. (Not including the theoretical loss $8.69 \times 10^{-6}$ dB)
Mainline VSWR	1.10:1 Max.
Secondline VSWR	1.35:1 Max.
Flange	FDP70(UDR70)
Coupling Port	SMA-Female/SMA-Male
Material	Al
Size(mm)	152.4 x 68.3 x 64.3
Net Weight(Kg)	0.31 Around

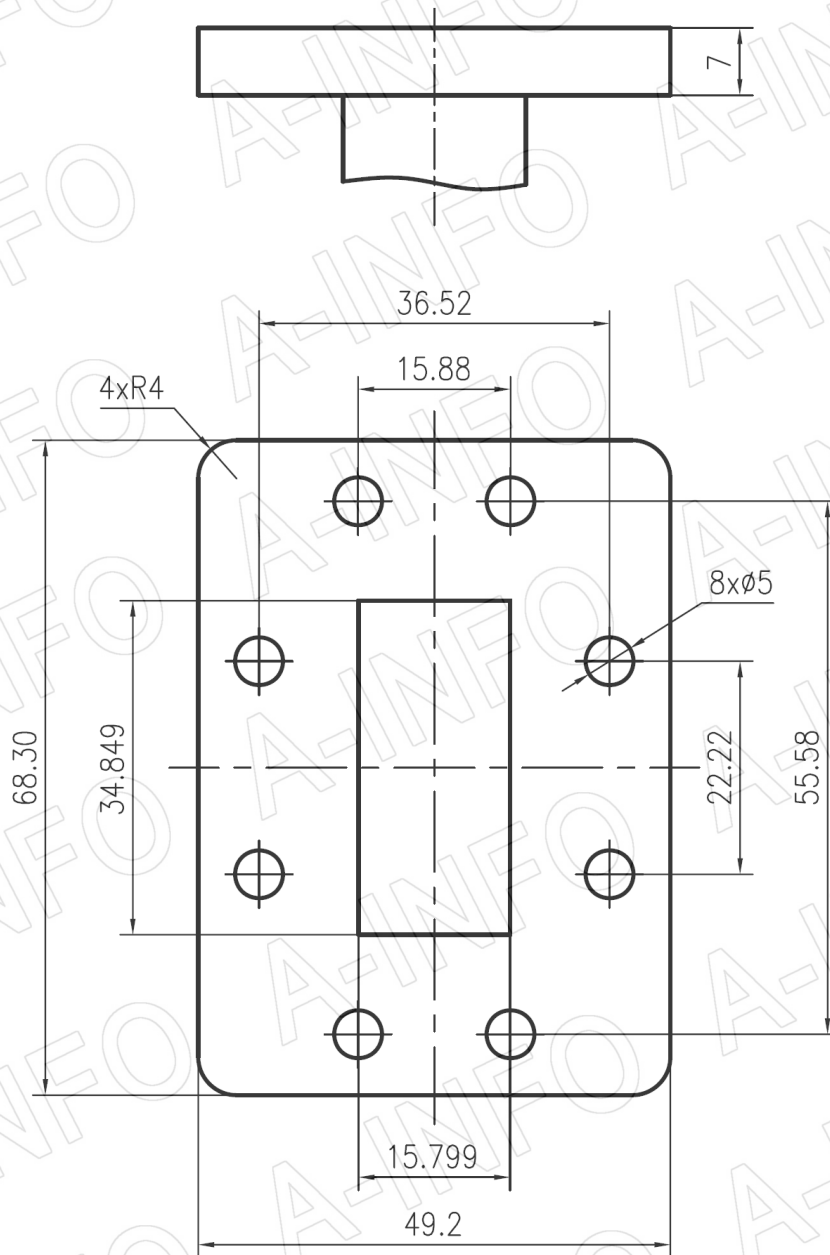
## Outline Drawing (Size: mm)

Coupling Port: SMA-Female

For SMA-Male connector Coupling Port outline drawing, please contact A-INFO.



## Flange Drawing (Size: mm)



### FDP70

**AINFO Inc.**

China(Beijing): Tel: (+86) 10-6266-7326,  
China(Chengdu): Tel: (+86) 28-8519-2786,  
USA : Tel: (+1) 949-639-9688,

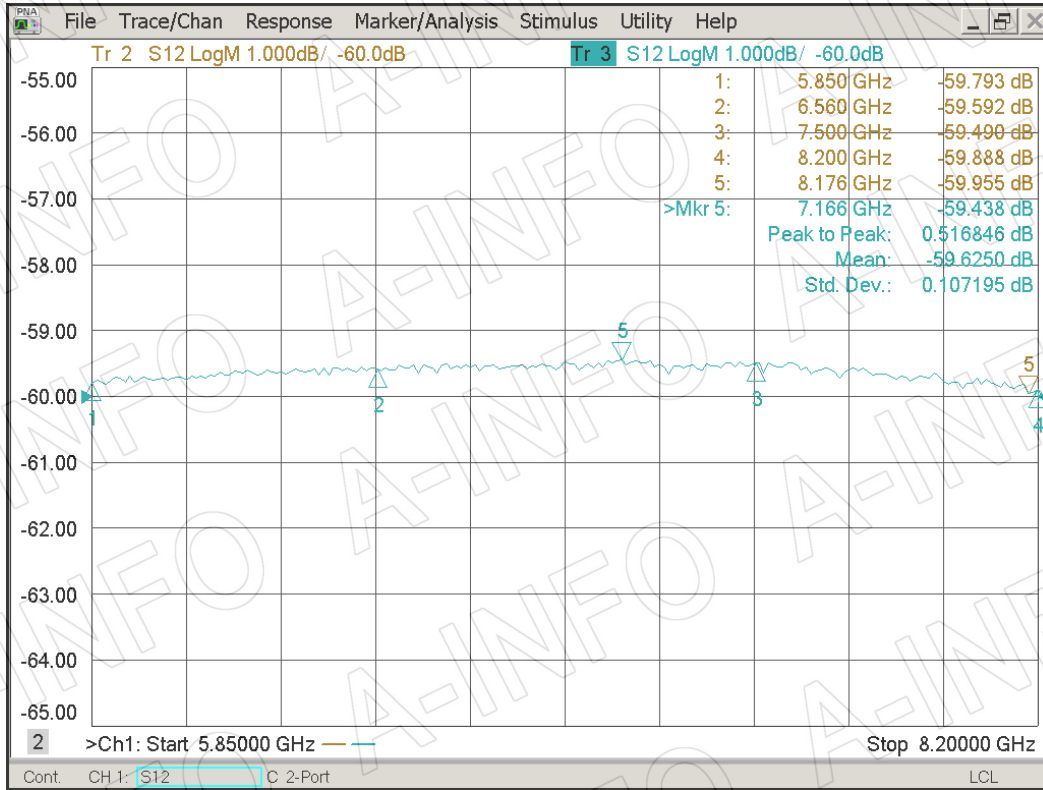
Page 2 of 6

(+86) 10-6266-7327 Fax: (+86) 10-6266-7379  
(+86) 28-8519-3044 Fax: (+86) 28-8519-3068  
(+1) 949-639-9608 Fax: (+1) 949-639-9670

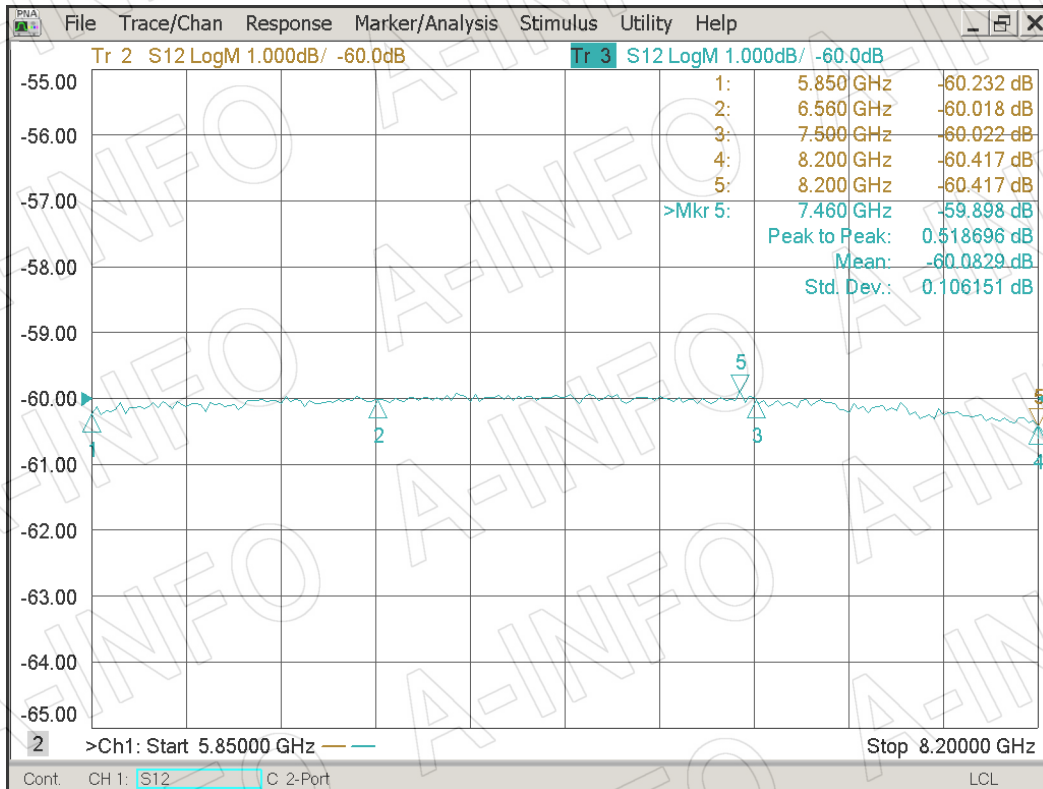
Website: [www.ainfoinc.com](http://www.ainfoinc.com)  
Email: [sales@ainfoinc.com](mailto:sales@ainfoinc.com)

## Test Results

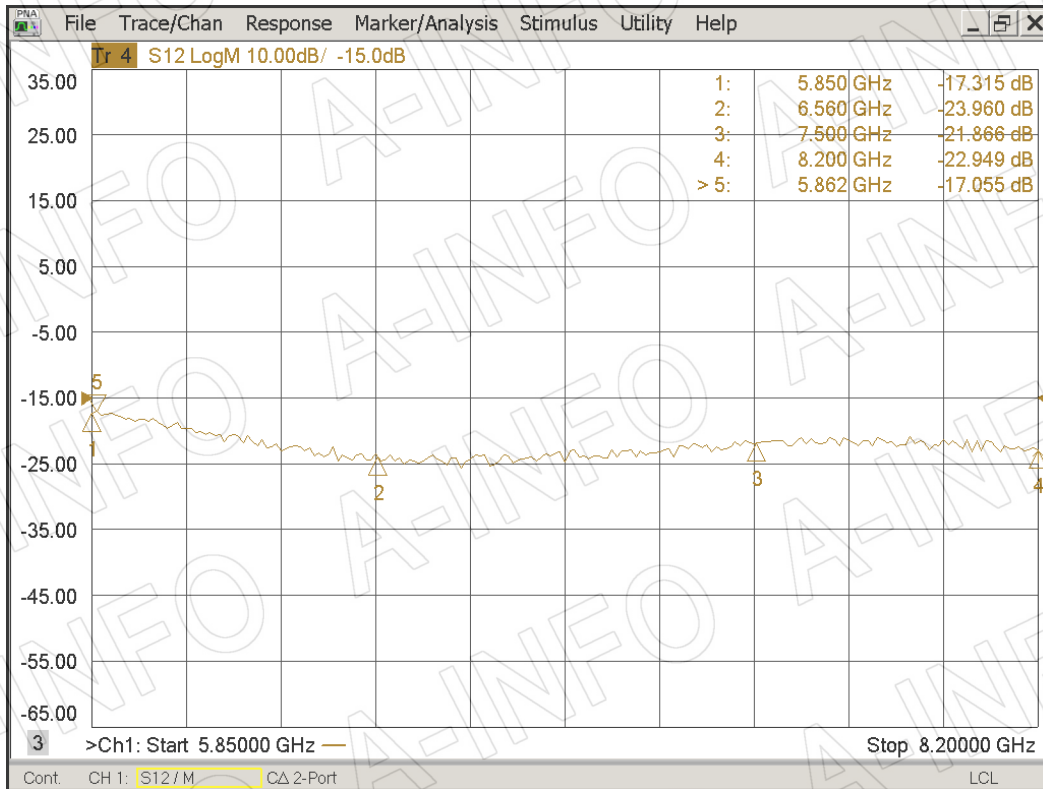
### Coupling Port 1



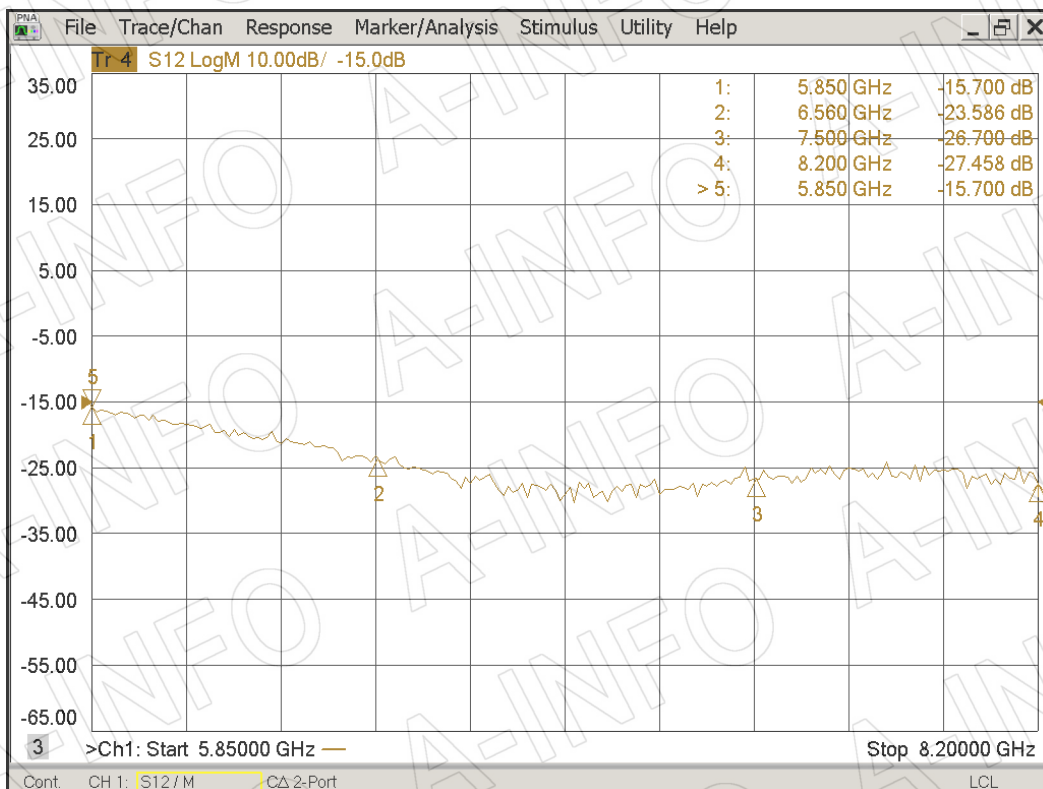
### Port 2



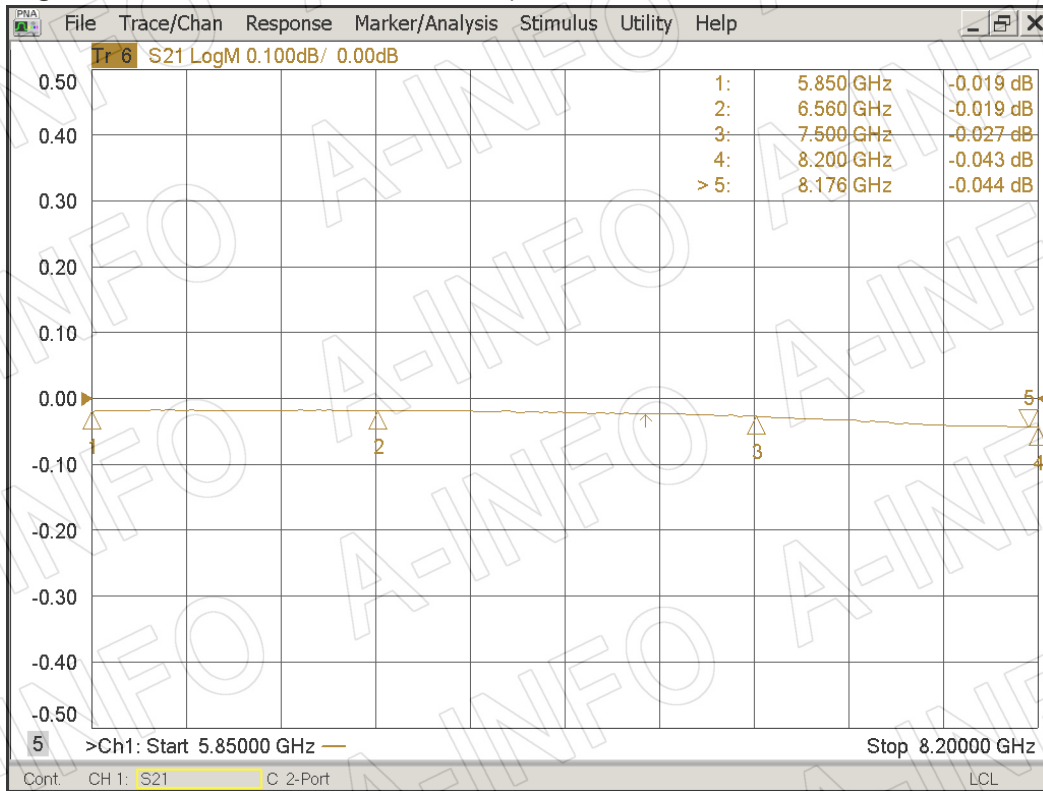
## Directivity Port 1



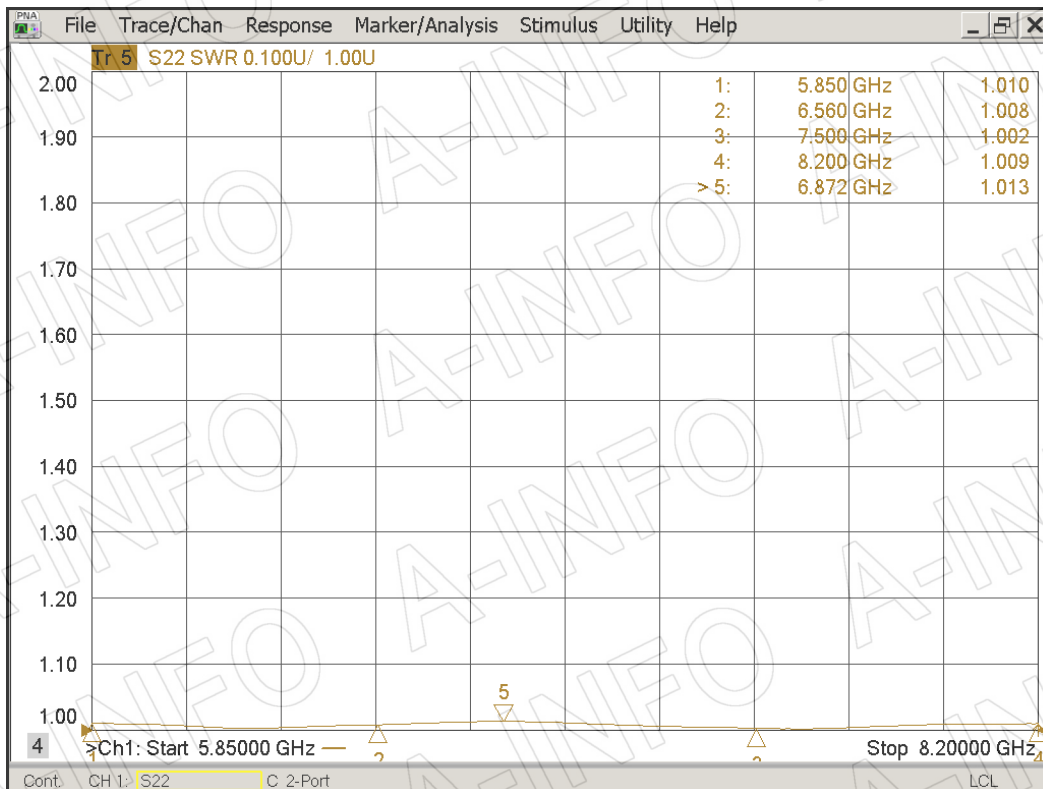
## Port 2



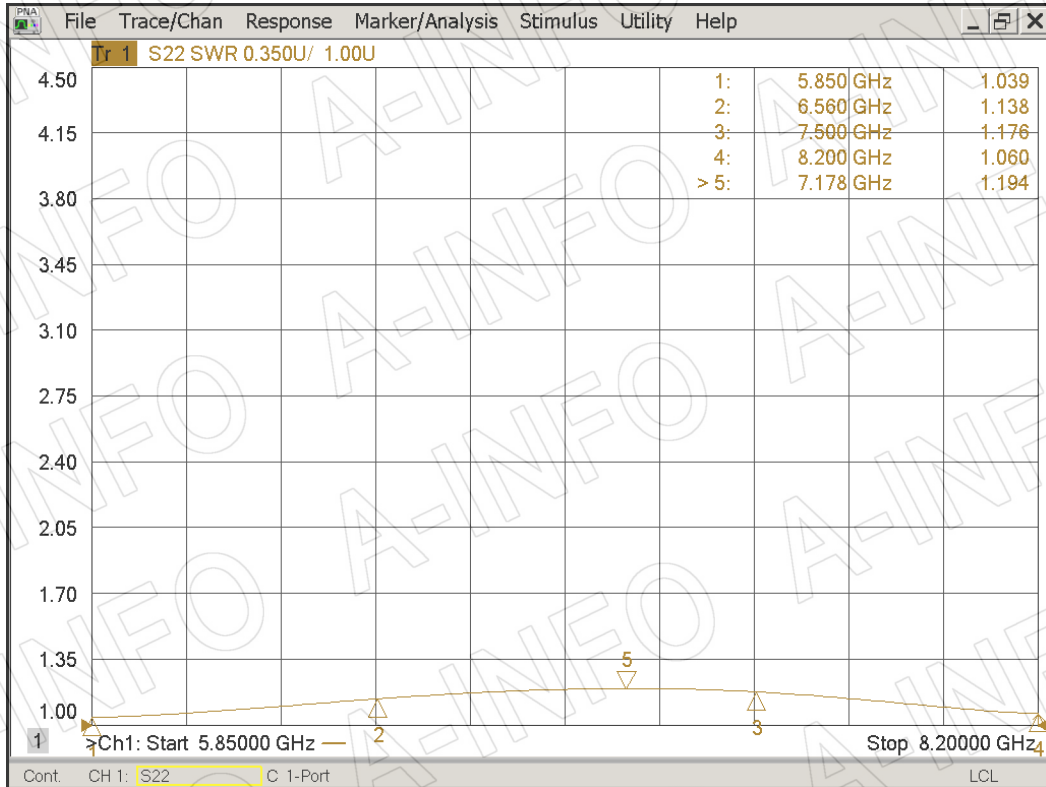
I.L.(Including the theoretical loss  $8.69 \times 10^{-6}$  dB)



Mainline VSWR



## Secondline VSWR Port 1



## Port 2

